

1.6 Block Diagrams

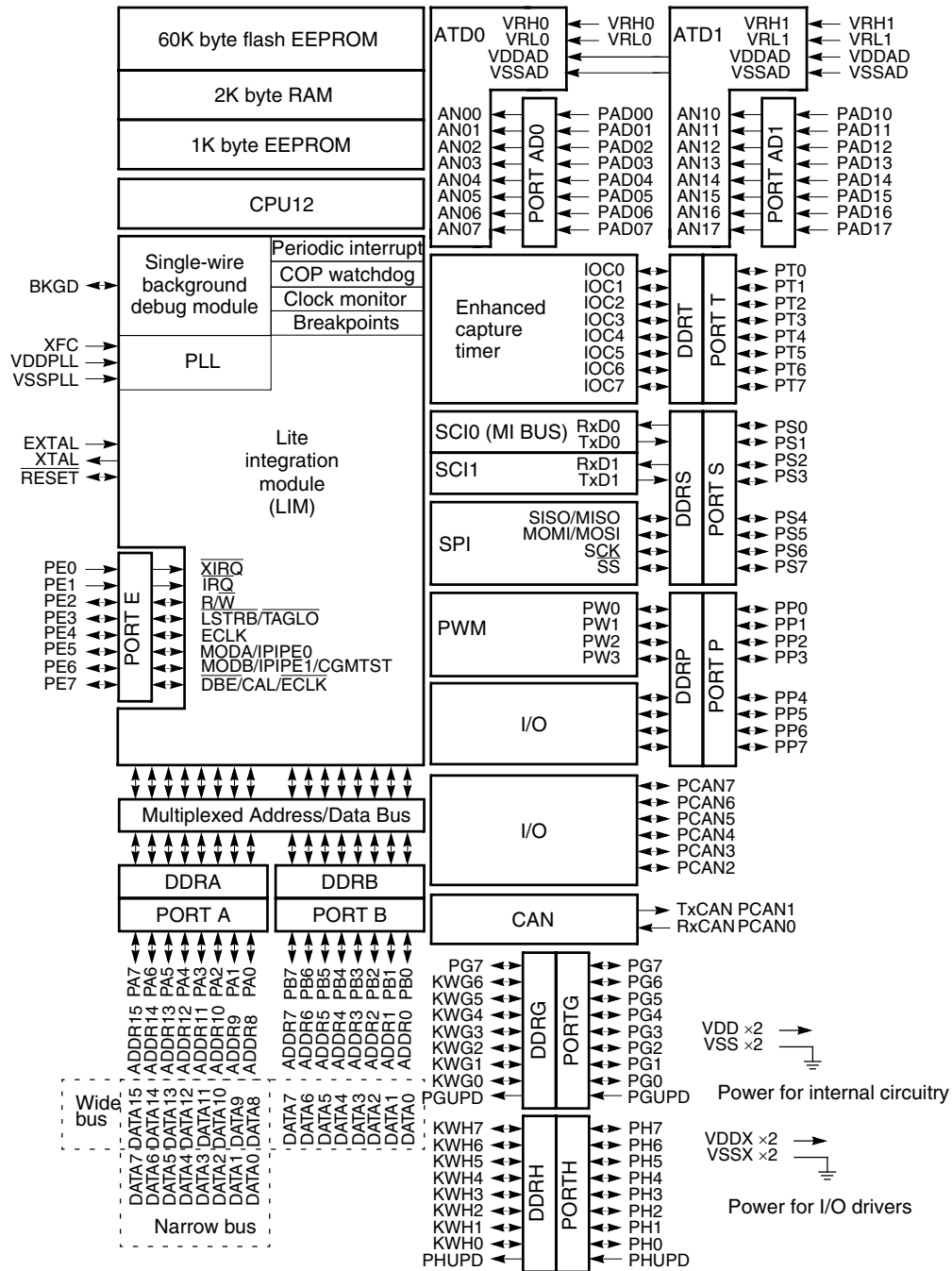


Figure 1-1. MC68HC912D60A 112-pin QFP Block Diagram